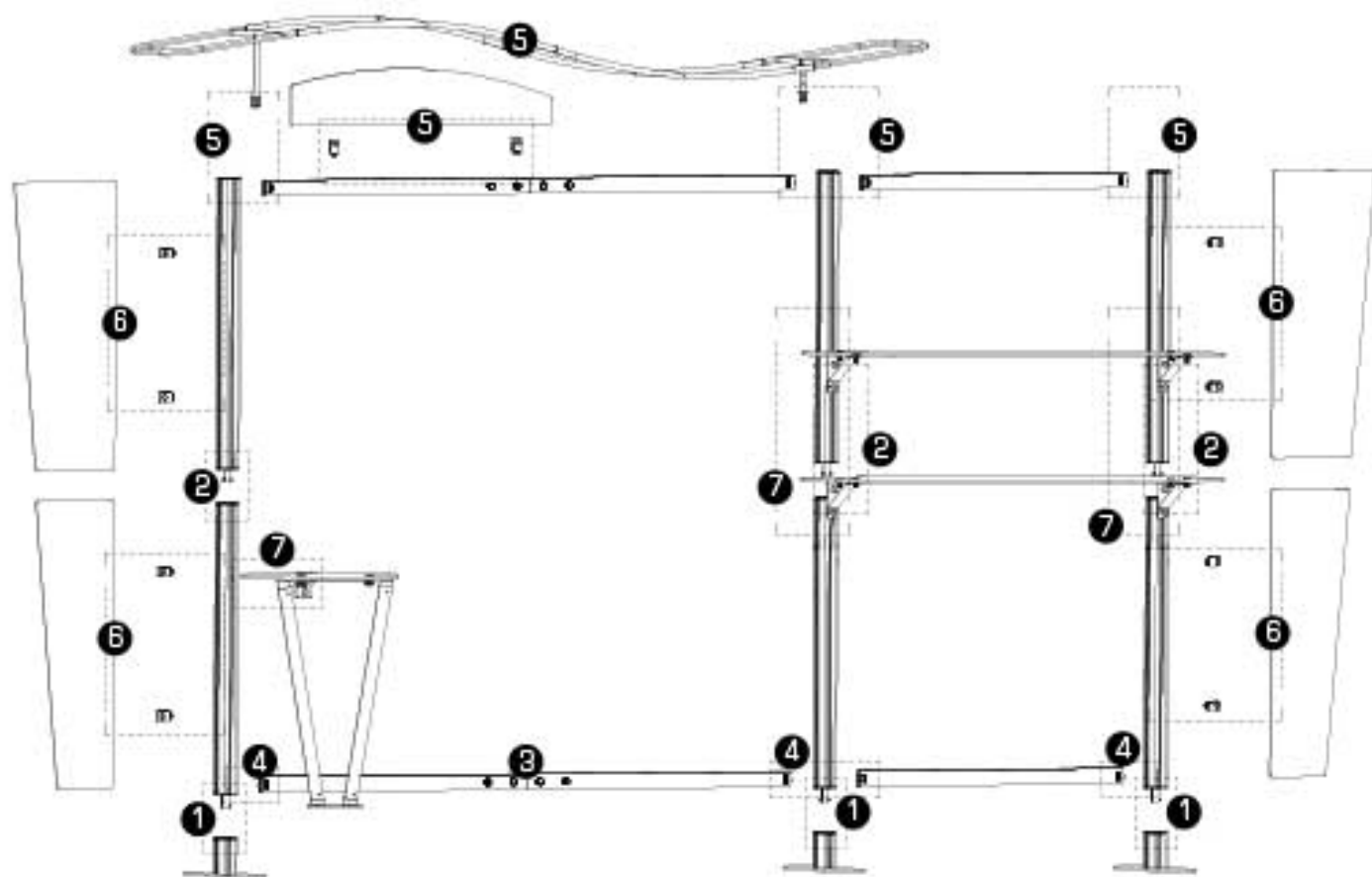
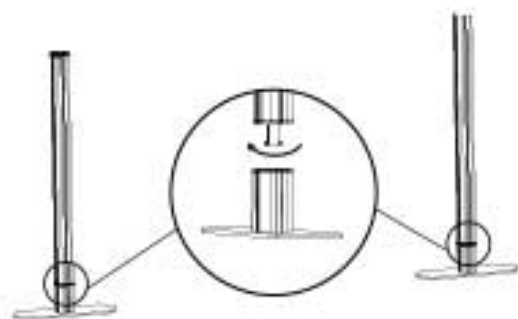


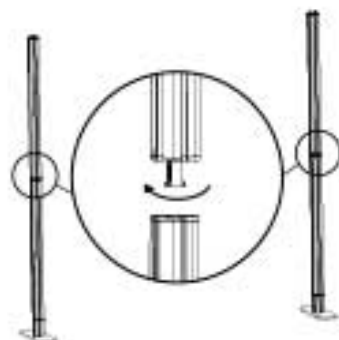
## Frame Assembly



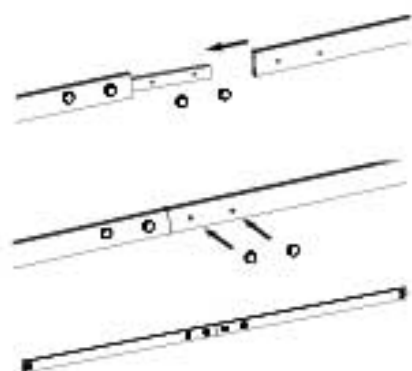
Key: Numbers [6] represents steps



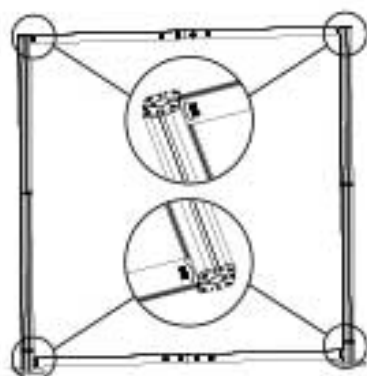
**STEP 1**



**STEP 2**



**STEP 3**



**STEP 4**

# Tahoe Side Graphic - Quick Instructions



**2 Bars for Side Graphic**



**Step 1**  
Insert the edge of the banner (rubber tube) into the side pole of Tahoe. \* Making sure the graphic front side is facing right way and to start inserting from the bottom of the banner.



**Step 2**  
After inserting side rubber tube of the banner to the side pole, inserting the top rubber tube of banner into the top bar.



**Step 3**  
Lock the back of the Top bar to connect to the side pole.



**Step 4**  
Making sure to line up the top bar to the top of the side pole and straighten before tighten it.



**Step 5**  
Inserting the bottom rubber tube of the banner to the bottom bar.



**Step 6**  
Lock the back of the bottom bar to connect to the side pole. Making sure to line up the bottom bar to the bottom of the side pole.

